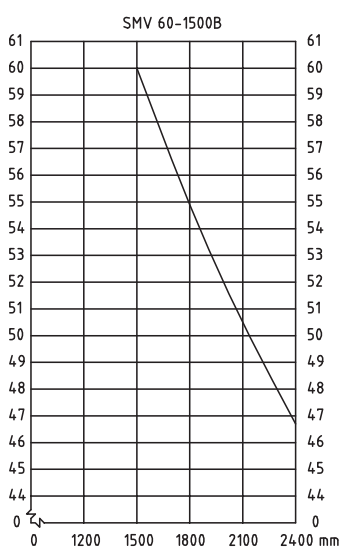
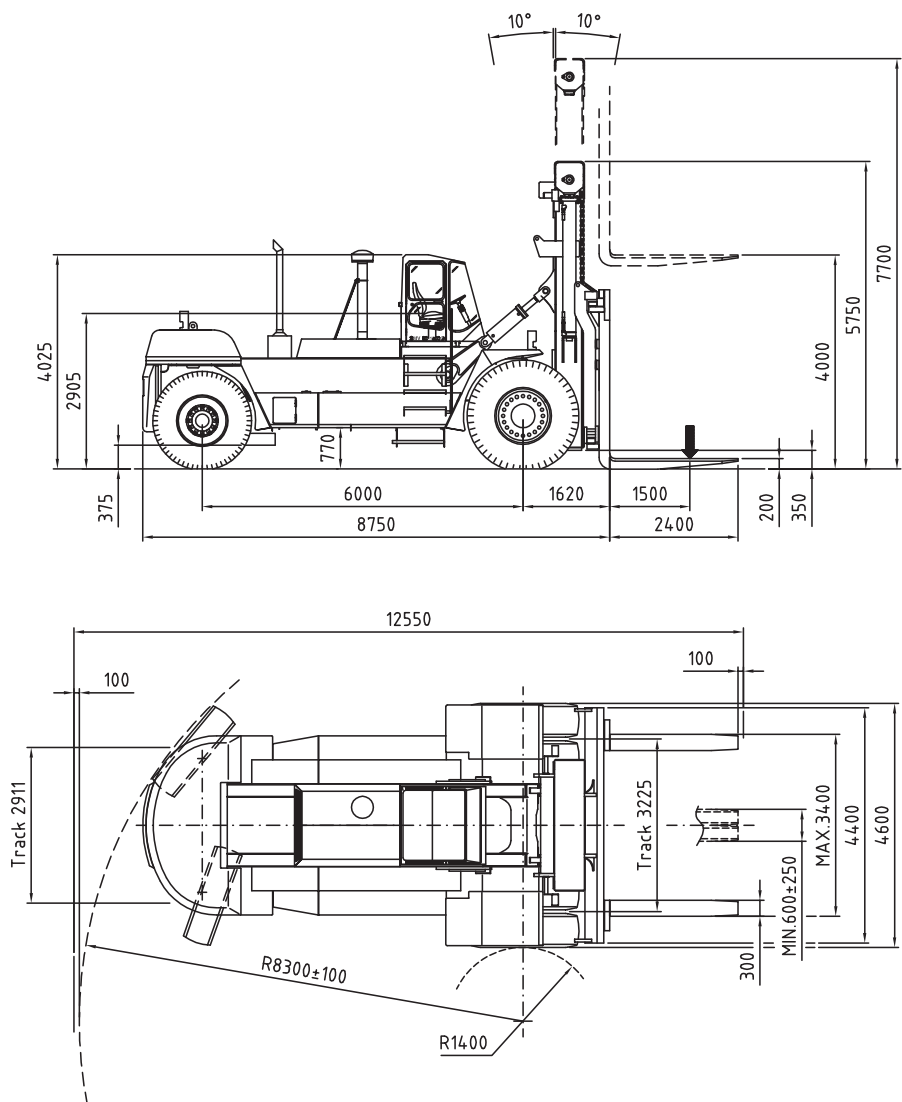


TECHNICAL DATA

Lifting data Lift capacity / load center Lift speed, unloaded / at rated load Lowering speed, unloaded / at rated load	kg / mm m / s m / s	60000 / 1500 0,21 / 0,16 0,22 / 0,26
Speeds Speed forward, unloaded / at rated load Speed reverse, unloaded / at rated load Incline, driving ability / at rated load at 0 km h / 2 km h Towing ability at rated load at 0 km h / 2 km h	km / h km / h % kN	29 / 22 29 / 22 28,6 / 18,8 413 / 287
Service weight / Axle pressure Service weight Axle pressure front, unloaded / at rated load Axle pressure rear, unloaded / at rated load	kg kg kg	89600 48300 / 139600 41300 / 10000
Engine (electronically controlled) Make / type designation (EU Stage III certified) Fuel / type of engine Power ISO 3046 / at speed Torque ISO 3046 / at speed Displacement / No. of cylinder Alternator, type / power Starting battery, voltage / capacity Fuel consumption, normal driving	kW(hp)/rpm Nm / rpm W / Amp V / Ah L / h	* Scania DC-12-55A Diesel / 4 - stroke 294 (401) 2100 1850 / 1400 12,0 / 6 AC / 1820 / 65 2 x 12 / 140 18 - 20
Automatic Transmission (electronic controlled gear shift) Gearbox, make / type designation Clutch, type Gearbox, type No. of gears, forward / reverse Drive axle, type		DANA TE-32000 Torque converter Powershift 4 / 4 Kessler D111
Wheels No. of wheels, front / rear Wheel dimensions, front / ply Wheel dimensions, rear / ply Pressure front and rear	In / PR In / PR MPa	4 / 2 21.00 x 35" / PR 40 18.00 x 33" / PR 36 1,0
Steering and brake system Steering system Driving brake system, type / affected wheels Parking brake system, type / affected wheels		Servo assisted Wet disc brakes / Drive wheels Spring brake / Drive wheels
Volumes Fuel, net Hydraulic system	L L	496 575
Hydraulic oil pressure Noise level DIN 45635 (LM inside cab)	MPa dB(A)	23,5 73

SMV 60-1500 B

KONECRANES®



SMV 60-1500 B / ENG / 070417

060829 / 2

Konecranes Liftrucks reserves the right to alter design and material specification without prior notice.

KONECRANES LIFTTRUCKS AB

Box 103
SE-285 23 Markaryd
SWEDEN

Visitors address
Anders Anderssons väg 13

Phone +46 433 73 300
Fax +46 433 73 310

www.smvliftrucks.se

E-mail
info@smvliftrucks.se