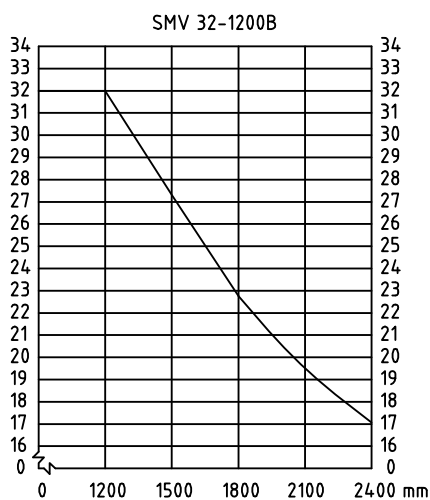
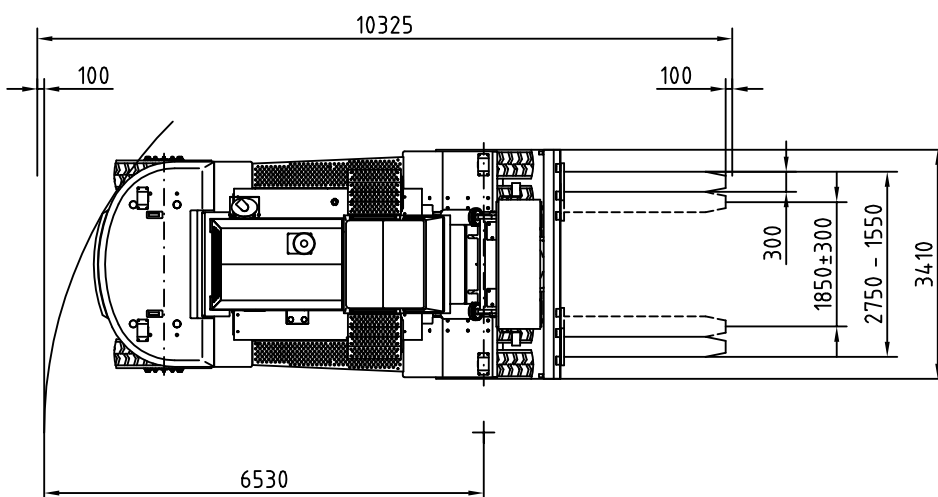
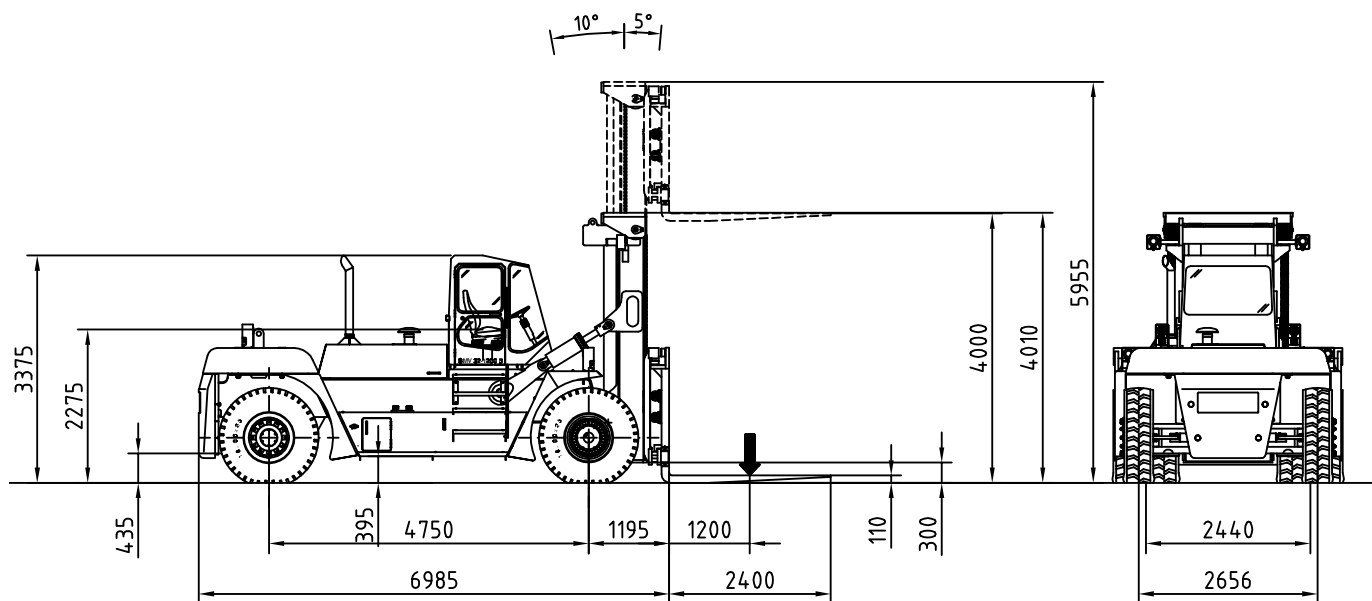


TECHNICAL DATA

Lifting data Lift capacity / load center Lift speed, unloaded / at rated load Lowering speed, unloaded / at rated load	kg / mm m / s m / s	32000 / 1200 0,32 / 0,27 0,40 / 0,40
Speeds Speed forward, unloaded / at rated load Speed reverse, unloaded / at rated load Incline, driving ability / at rated load at 0 km h / 2 km h Towing ability at rated load at 0 km h / 2 km h	km / h km / h % kN	23 / 21 23 / 21 51 / 35 345 / 255
Service weight / Axle pressure Service weight Axle pressure front, unloaded / at rated load Axle pressure rear, unloaded / at rated load	kg kg kg	41300 20500 / 68600 20800 / 4700
Engine (electronically controlled) Make / type designation (EU Stage II certified) Fuel / type of engine Power ISO 3046 / at speed Torque ISO 3046 / at speed Displacement / No. of cylinder Alternator, type / power Starting battery, voltage / capacity Fuel consumption, normal driving	kW(hp)/rpm Nm / rpm W / Amp V / Ah L / h	*Scania DI-12-54A Diesel / 4 - stroke 222 (303) / 2100 1446 / 1400 12,0 / 6 AC / 1820 / 65 2 x 12 / 140 12 - 14
*EU stage III requires Scania DC 12 58A (243 kW, 331 hp@ 2100 rpm, 1450/1400 Nm/rpm)		
Automatic Transmission (electronic controlled gear shift) Gearbox, make / type designation Clutch, type Gearbox, type No. of gears, forward / reverse Drive axle, type		DANA TE-27000 Torque converter Powershift 4 / 4 Axletech PRC-3806-W4H
Wheels No. of wheels, front / rear Wheel dimensions, front / ply Wheel dimensions, rear / ply Pressure front and rear	In / PR In / PR MPa	4 / 2 16.00 x 25" / PR 28 16.00 x 25" / PR 28 0,9
Steering and brake system Steering system Driving brake system, type / affected wheels Parking brake system, type / affected wheels		Servo assisted Wet disc brakes / Drive wheels Spring brake / Drive wheels
Volumes Fuel, net Hydraulic system	L L	371 406
Hydraulic oil pressure Noise level DIN 45635 (LM inside cab)	MPa dB(A)	22,5 73

SMV 32-1200 B

KONECRANES®



SMV 32-1200 B / ENG / 060903

060829 / 5

Konecranes Liftrucks reserves the right to alter design and material specification without prior notice.

KONECRANES LIFTTRUCKS AB

Box 103
SE-285 23 Markaryd
SWEDEN

Visitors address
Anders Anderssons väg 13

Phone +46 433 73 300
Fax +46 433 73 310

www.smvliftrucks.se

E-mail
info@smvliftrucks.se