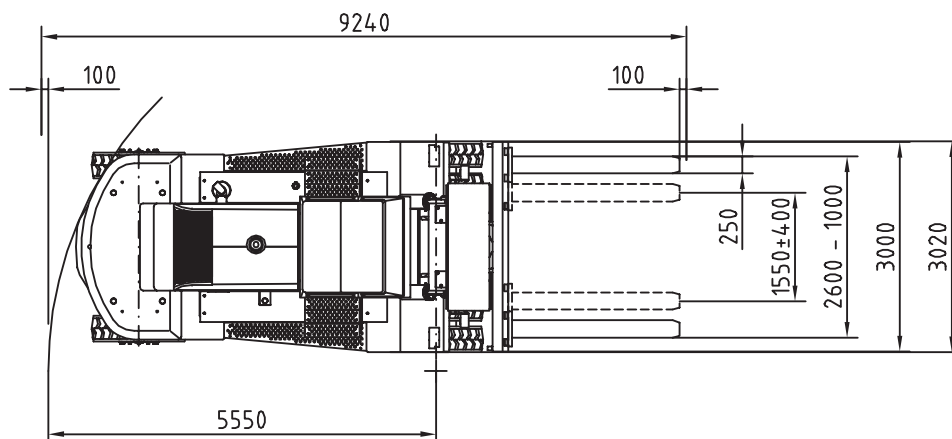
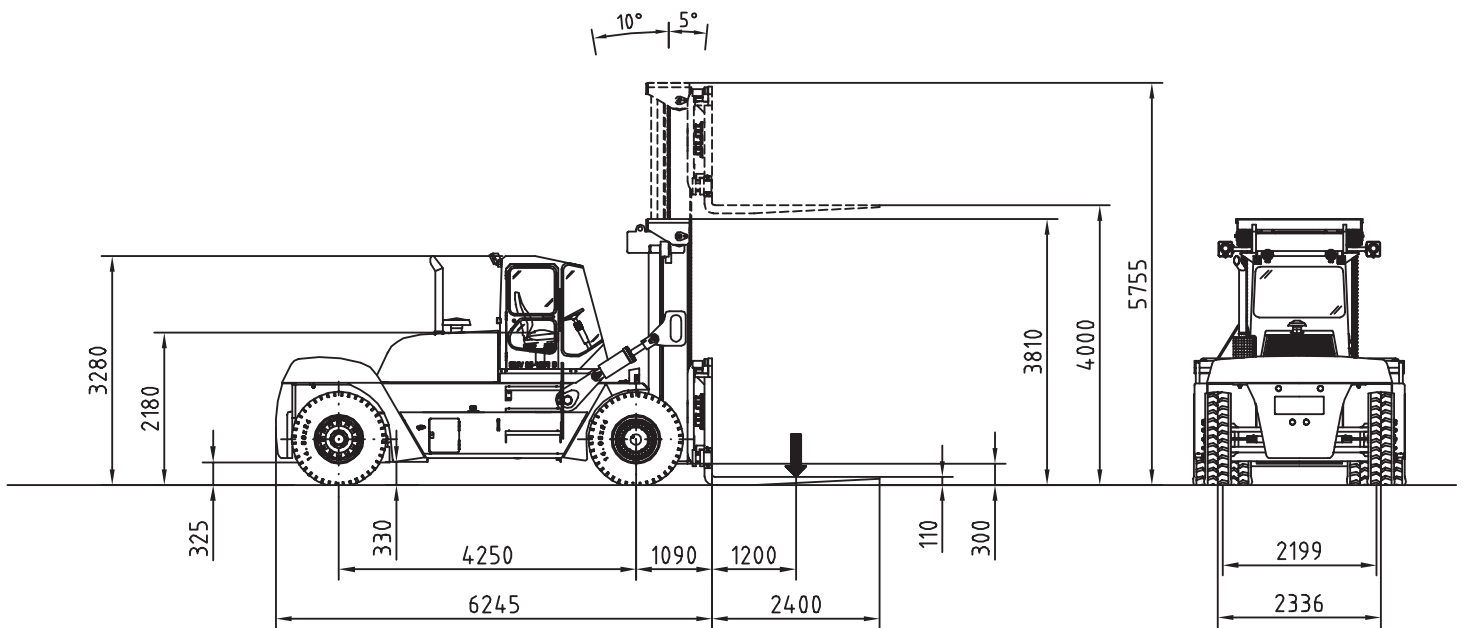


TECHNICAL DATA

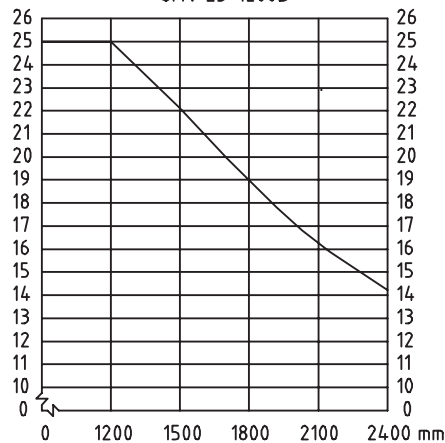
Lifting data		
Lift capacity / loadcenter (up to 9000 mm / standard mast)	kg / mm	25000 / 1200
Lift speed, unloaded / at rated load	m / s	0,30 / 0,25
Lowering speed, unloaded / at rated load	m / s	0,40 / 0,40
Speeds		
Speed forward, unloaded / at rated load	km / h	28 / 27
Speed reverse, unloaded / at rated load	km / h	28 / 27
Incline, driving ability / at rated load at 0 km h / 2 km h	%	34 / 24
Towing ability at rated load at 0 km h / 2 km h	kN	196 / 147
Service weight / Axle pressure		
Service weight	kg	34100
Axle pressure front, unloaded / at rated load	kg	16700 / 55100
Axle pressure rear, unloaded / at rated load	kg	17400 / 4000
Engine (electronically controlled)		
Make / type designation (*EU Stage II certified)		*Volvo TAD-722-VE-HT
Fuel / type of engine		Diesel / 4 - stroke
Power ISO 3046 / at speed	kW (hp) / rpm	180 (245) / 2300
Torque ISO 3046 / at speed	Nm / rpm	1050 / 1400
Displacement / no. of cylinders	L	7,15 / 6
Alternator, type / power	W / Amp	AC / 1540 / 55
Starting battery, voltage / capacity	V / Ah	2 x 12 / 140
Fuel consumption, normal driving	L / h	10-12
* EU stage III / Tier 3 requires Volvo TAD 760 VE - 181kW (246 hp) @2300 rpm, 1100Nm @ 1500 rpm		
Transmission with electronic controlled gear shift		
Make / type designation		DANA / TE-17000
Clutch, type		Torque converter
Transmission, type		Powershift
No. of gears, forward / reverse		3 / 3
Drive axle, type		Axletech PRLC-1794-W4H
Wheels		
No. of wheels, front / rear		4 / 2
Wheel dimensions, front / ply	In / No.	14.00 x 24" / PR 24
Wheel dimensions, rear / ply	In / No.	14.00 x 24" / PR 24
Pressure front and rear	MPa	0,9
Steering and brake system		
Steering system		Servo assisted
Driving brake system, type / affected wheels		Wet disc brakes / Drive wheels
Parking brake system, type / affected wheels		Spring brake / Drive wheels
Volumes		
Fuel, net	L	336
Hydraulic system	L	368
Hydraulic oil pressure		
Noise level DIN 45635 (LM inside cab)	MPa	23,5
	dB (A)	70

SMV 25-1200 B

KONECRANES®



SMV 25-1200B



050901 / 3

SMV 25-1200 B / ENG / 061121

Konecranes Liftrucks reserves the right to alter design and material specification without prior notice.

KONECRANES LIFTTRUCKS AB

Box 103
SE-285 23 Markaryd
SWEDEN

Visitors address
Anders Anderssons väg 13

Phone +46 433 73 300
Fax +46 433 73 310

www.smvliftrucks.se

E-mail
info@smvliftrucks.se