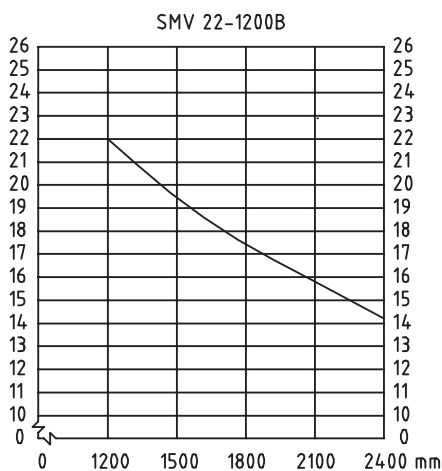
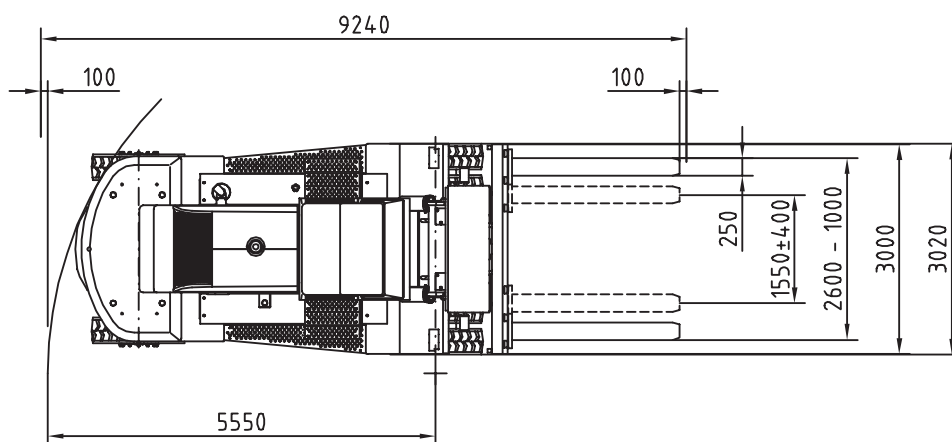
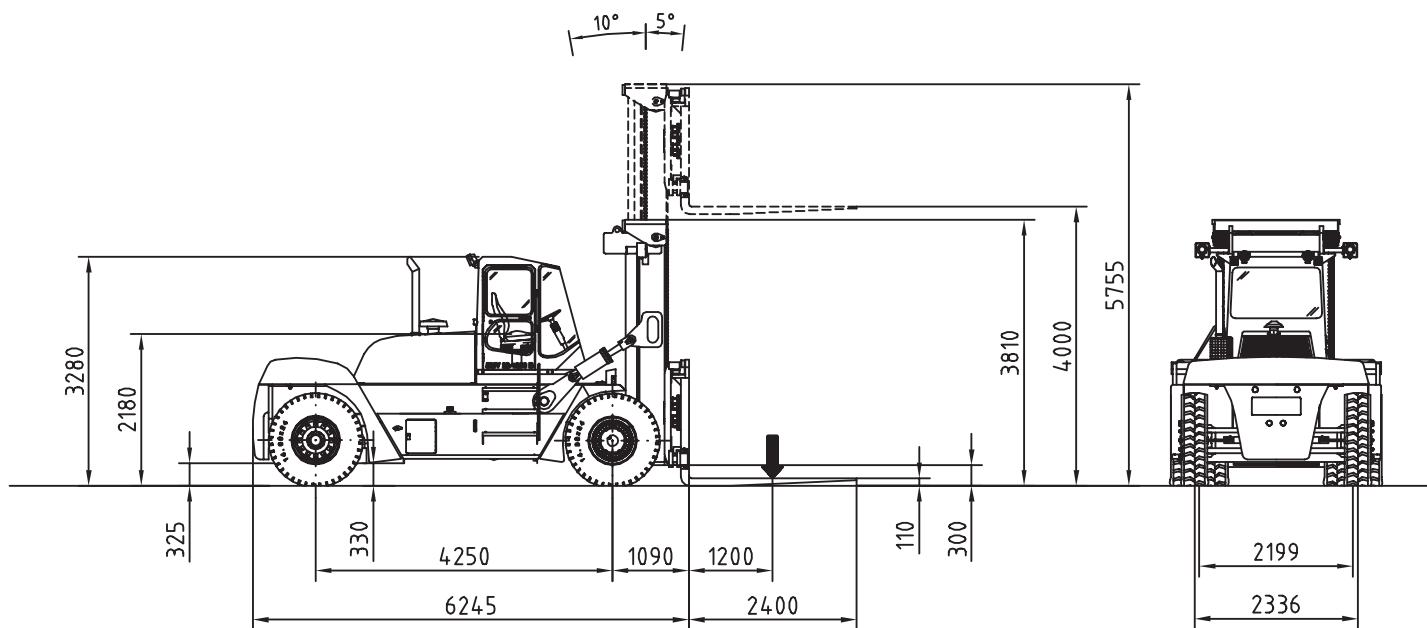


TECHNICAL DATA

Lifting data Lift capacity / loadcenter (up to 9000 mm / standard mast) Lift speed, unloaded / at rated load Lowering speed, unloaded / at rated load	kg / mm m / s m / s	22000 / 1200 0,30 / 0,25 0,40 / 0,40
Speeds Speed forward, unloaded / at rated load Speed reverse, unloaded / at rated load Incline, driving ability / at rated load at 0 km h / 2 km h Towing ability at rated load at 0 km h / 2 km h	km / h km / h % kN	29 / 27 29 / 27 37 / 28 196 / 147
Service weight / Axle pressure Service weight Axle pressure front, unloaded / at rated load Axle pressure rear, unloaded / at rated load	kg kg kg	32000 16700 / 50500 15300 / 3500
Engine (electronically controlled) Make / type designation (*EU Stage II certified) Fuel / type of engine Power ISO 3046 / at speed Torque ISO 3046 / at speed Displacement / no. of cylinders Alternator, type / power Starting battery, voltage / capacity Fuel consumption, normal driving	kW (hp) / rpm Nm / rpm L W V / Ah L / h	*Volvo TAD-722-VE-HT Diesel / 4 - stroke 180 (245) / 2300 1050 / 1400 7,15 / 6 AC / 1540 / 55 2 x 12 / 140 10-12
<small>* EU stage III / Tier 3 requires Volvo TAD 760 VE - 181kW (246 hp) @2300 rpm, 1100Nm @ 1500 rpm</small>		
Transmission with electronic controlled gear shift Make / type designation Clutch, type Transmission, type No. of gears, forward / reverse Drive axle, type		DANA / TE-17000 Torque converter Powershift 3 / 3 Axletech PRLC-1794-W4H
Wheels No. of wheels, front / rear Wheel dimensions, front / ply Wheel dimensions, rear / ply Pressure front and rear	In / No. In / No. MPa	4 / 2 14.00 x 24" / PR 24 14.00 x 24" / PR 24 0,9
Steering and brake system Steering system Driving brake system, type / affected wheels Parking brake system, type / affected wheels		Servo assisted Wet disc brakes / Drive wheels Spring brake / Drive wheels
Volumes Fuel, net Hydraulic system	L L	336 368
Hydraulic oil pressure Noise level DIN 45635 (LM inside cab)	MPa dB (A)	21,5 70

SMV 22-1200 B

KONECRANES®



050901 / 3

SMV 22-1200 B / ENG / 061121

Konecranes Liftrucks reserves the right to alter design and material specification without prior notice.

KONECRANES LIFTTRUCKS AB

Box 103
SE-285 23 Markaryd
SWEDEN

Visitors address
Anders Anderssons väg 13

Phone +46 433 73 300
Fax +46 433 73 310

www.smvliftrucks.se

E-mail
info@smvliftrucks.se