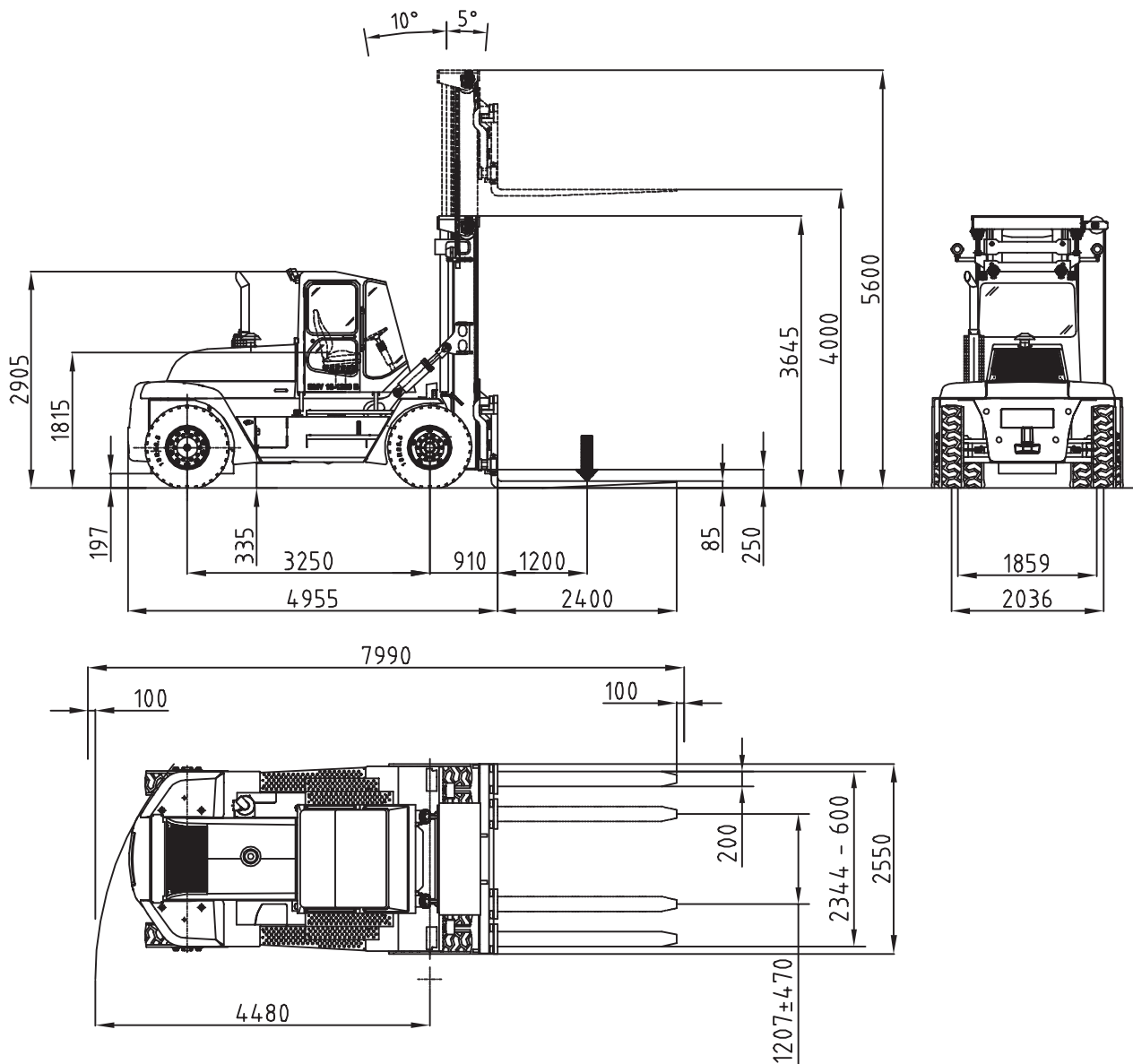


TECHNICAL DATA

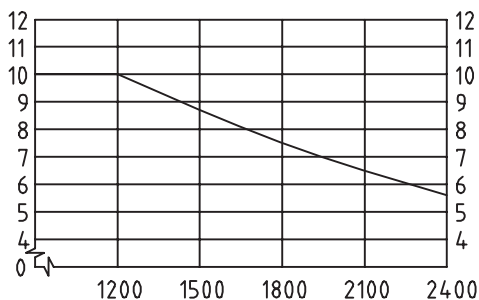
Lifting data Lift capacity / load center (up to 7000 mm / standard mast) Lift speed, unloaded / at rated load Lowering speed, unloaded / at rated load	kg / mm m / s m / s	10000 / 1200 0,50 / 0,45 0,40 / 0,40
Speeds Speed forward, unloaded / at rated load Speed reverse, unloaded / at rated load Incline, driving ability / at rated load at 0 km h / 2 km h Towing ability at rated load at 0 km h / 2 km h	km / h km / h % kN	30 / 30 30 / 30 37 / 30 107 / 85
Service weight / Axle pressure Service weight Axle pressure front, unloaded / at rated load Axle pressure rear, unloaded / at rated load	kg kg kg	18900 10400 / 26900 8500 / 2000
Engine (electronically controlled) Make / type designation (*EU step II certified) Fuel / type of engine Power ISO 3046 / at speed Torque ISO 3046 / at speed Displacement / no. of cylinders Alternator, type / power Starting battery, voltage / capacity Fuel consumption, normal driving * EU stage III / Tier 3 requires Volvo TAD 660 VE - 147kW (200 hp) @2300 rpm, 800Nm @ 1600 rpm	kW (hp) / rpm Nm / rpm W / Amp V / Ah L / h	Volvo TAD-620-VE* Diesel / 4-stroke 147 (200) / 2300 700 / 1500 5,7 / 6 AC / 1540 / 55 2 x 12 / 88 8-10
Transmission with electronic controlled gear shift Make / type designation Clutch, type Transmission, type No. of gears, forward / reverse Drive axle, type		DANA TE-17000 Torque converter Powershift 3 / 3 Kessler D81
Wheels No. of wheels, front / rear Wheel dimensions, front / ply Wheel dimensions, rear / ply Pressure front and rear	In / No. In / No. MPa	4 / 2 13 R 22,5" / PR 16 13 R 22,5" / PR 16 0,9
Steering and brake system Steering system Driving brake system, type / affected wheels Parking brake system, type / affected wheels		Servo assisted Wet disc brakes / Drive wheels Spring brake / Drive wheels
Volumes Fuel, net Hydraulic system	L L	168 192
Hydraulic oil pressure Noise level DIN 45635 (LM inside cab)	MPa dB (A)	23 68

SMV 10-1200 B

KONECRANES®



SMV 10-1200B



041201/4

SMV 10-1200 B/ ENG / 061110

Konecranes Liftrucks reserves the right to alter design and material specification without prior notice.

KONECRANES LIFTTRUCKS AB

Box 103
SE-285 23 Markaryd
SWEDEN

Visitors address
Anders Anderssons väg 13

Phone +46 433 73 300
Fax +46 433 73 310

www.smvliftrucks.se

E-mail
info@smvliftrucks.se