

MODEL	SD-C50
Standby Power (50Hz)	44KW /55KVA
Prime Power (50Hz)	40KW /50KVA

Standard Features

General Features:

- ☆Engine (DCEC Cummins 4BTA3.9 -G)
- ☆Radiator 40°C max, fans are driven by belt, with safety guard
- ☆24V charge alternator
- ☆Alternator (STAMFORD UCI224D), single bearing alternator IP22,insulation class H/H
- ☆Absorber
- ☆Dry type air filter, double fuel filter, oil filter, coolant filter
- ☆Main line circuit breaker
- ☆Standard control panel
- ☆Two 12V batteries, rack and cable
- ☆Ripple flex exhaust pipe, exhaust siphone, flange, muffler
- ☆User manual



Generator Ratings

Voltage	HZ	Phase	P.F (COS Ø)	Standby Amps	Standby Ratings (KW/KVA)	Prime Ratings (KW/KVA)
440/254	50	3	0.8	72	44/55	40/50
415/240	50	3	0.8	76.3	44/55	40/50
400/230	50	3	0.8	79.2	44/55	40/50
380/220	50	3	0.8	83.4	44/55	40/50

Prime Power (PRP): Prime power is available for an unlimited number of annual hours in variable load application, in accordance with GB/T2820-97 (eqvISO8528) ; A 10% overload capability is available for a period of 1 hour within a 12-hour period of operation.

Standby Power Rating (ESP): The standby power rating is applicable for supplying emergency power for the duration of a utility power interruption. No overload, utility parallel or negotiated outage operation capability is available at this rating.

Sales Promises

SDEC Power provides a full line of brand new and high quality products. Each and every unit is strictly factory tested.

Warranty is according to our standard conditions: 12 months or 1,000 running hours, subject to the earlier one.

Service and parts are available from SDEC Power or distributors in your location.

ENGINE DATA

Manufacturer / Model:	DCEC Cummins 4BTA3.9-G, 4-cycle
Air Intake System:	Turbo, Water/Air DC
Fuel System:	AD type fuel pump
Cylinder Arrangement:	4 in line
Displacement:	3.9L
Bore and Stroke:	102×120 (mm)
Compression Ratio:	16.5
Rated RPM:	1500rpm
Max. Standby Power at Rated RPM:	55KW/74.8HP
Governor Type:	GAC Electronic Speed Control System
Frequency Regulation, Steady State:	≤1.5%

Exhaust System

Exhaust Gas Flow:	14.8m ³ /min
Exhaust Temperature:	497℃
Max Back Pressure:	10kPa

Air Intake System

Max Intake Restriction:	6.2kPa
Burning Capacity:	5.9m ³ /min
Intake Flow:	136m ³ /min

Fuel System

110%(Standby Power) Load:	9.5L/h
100%(Prime Power) Load:	8.6L/h
Total Fuel Flow:	17.1L/h

Oil System

Total Oil Capacity:	16.4L
Oil Consumption:	≤4g/kwh
Engine Oil Tank Capacity:	14.3L
Oil Pressure at Rated RPM:	350kPa

Cooling System

Total Coolant Capacity:	21L
Thermostat:	83-95℃
Max Water Temperature:	100℃

Emissions

NOx :
CO :
Soor :
HC :

ALTERNATOR SPECIFICATION

GENERAL DATA

Compliance with GB755, BS5000, VDE0530, NEMAMG1-22, IED34-1, CSA22.2 and AS1359 standards.

Alternator Data

Manufacturer / Type:	STAMFORD / UCI224D
Number of Phase:	3
Connecting Type:	3 Phase and 4 Wires, "Y" type connecting
Number of Bearing:	1
Power Factor:	0.8
Protection Grade:	IP22
Altitude:	≤1000m
Exciter Type:	Brushless, self-exciting
Insulation Class, Temperature Rise:	H/H
Telephone Influence Factor (TIF):	<50
THF:	< 2%
Voltage Regulation, Steady State:	≤±1%
Alternator Capacity:	50 KVA
Alternator Efficiencies:	88.2%
Air Cooling Flow:	0.216m ³ /s

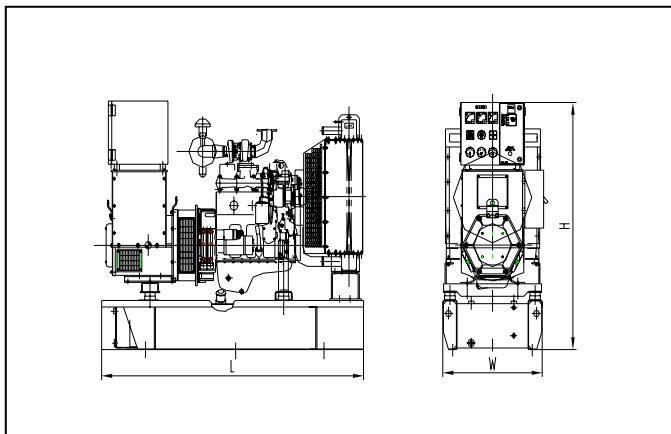
GENERATING SET DATA

Voltage Regulation:	≥±5%
Voltage Regulation, Stead State:	≤±1%
Sudden Voltage Warp (100% Sudden Reduce):	≤+25%
Sudden Voltage Warp (100% Sudden Increase):	≤-20%
Voltage Stable Time (100% Sudden Reduce):	≤6S
Voltage Stable Time (100% Sudden Increase):	≤6S
Frequency Reduce:	≤5% Adjustable
Frequency Regulation, Stead State:	≤1.5%
Frequency Waving:	≤0.5%
Sudden Frequency Warp (100% Sudden Reduce):	≤+12%
Sudden Frequency Warp (100% Sudden Increase):	≤-10%
Frequency Recovery Time (100% Sudden Reduce):	≤5S
Frequency Recovery Time (100% Sudden Increase):	≤5S
Noise Level:	104dB
Emission Level:	Euro I

Options

Engine	Fuel System	Control System
Heater	Daily Fuel Tank	Auto Control Panel
Battery Charger	Base Fuel Tank	Remote Control Panel
	Water Separator	Auto Transfer Switch (ATS)
		Control Panel
		Paralleling System
		Electricity Output Cabinet
Alternator	Others	Data
Anti Condensation Heater	Rainproof Type	Engine Parts Drawing List
Permanent Magnet	Soundproof Type	Spare Parts
Generator (PMG)		
Drop CT (For Paralleling)	Trailer Type	

Dimension & Weight



Standard Configuration (Open Type)

Overall Size: 1950 (mm)×750 (mm)×1500 (mm)

Weight: 820kg

With Base Fuel Tank

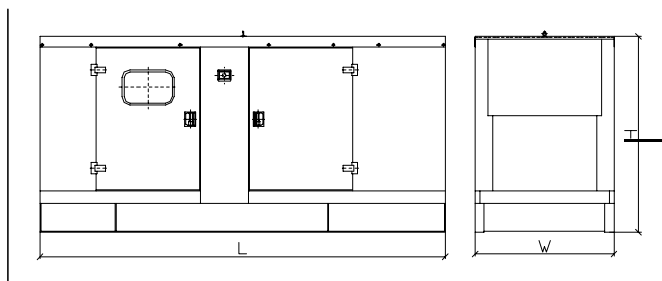
Overall Size: 1950 (mm)×750 (mm)×1500 (mm)

Weight: 920kg

Soundproof Type

Overall Size: 2600 (mm)×1100 (mm)×1850 (mm)

Weight: 1445kg



Standard Control Panel



SDEC Standard Control Panel is the basic configuration for normal operation and usage, it is of some advantages such as easy to operate, various function and well protection. Operative buttons such as Turn On, Per-heat, Starting, Stop (Emergency Stop) on the panel. While malfunction occurs, control panel will stop the generator and also alarm with light or buzz.

Auto Module Control Panel



Automatic Control Panel is the basic configuration for nobody on duty controlling generators. This kind of panel can accept the remote start/stop signals. (Controlled by ATS)
 Features: adopted Czech Comap Brand auto control system, with large LCD display in English (or Chinese) to show the menu. With Auto Control Panel, generator are of various functions such as auto/manual stop (emergency stop), programmable plugs for input and output, detected data, symbols, diagram will show in the LCD, etc.

Auto Remote Control Panel



Automatic Remote Control Panel is based on the Auto Control Panel and add the standard communication plugs: RS232 (Modbus Communication Agreement). With Auto Remote Control Panel, it can realize remote control, remote detective, remote report by user using communicative net or center inspect and control system.